

H351 & H352 SERIES AUTOMATIC SOLDERING ROBOT



Description:

- Window 7 English operation system.
- 12" full touch screen and wireless controller .
- Self-developed software ,fool-style programming.
- Temperature range: ambient temperature to 450 .
- 400W(Optional 600W high power strong heat recovery heater.
- Automatic cleaning of soldering iron.
- Temperature Monitoring.
- Automatic solder feeder.
- Repeatability <0.05mm.

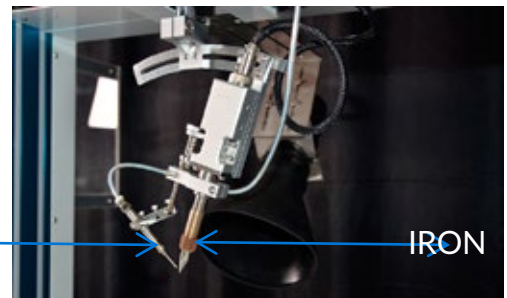
H351 Can handle PCBs up to 320x320mm

Solder system

Constant contact-force of the solder-tip in horizontal and vertical direction.

Iron component:With the rotation axis,iron components can rotate 330 degrees. ,fully meet the different angle of welding products.

Solder wire



IRON

Solder wire



The mobile smoke cover extracts smokes wherever you solder to keep air clean in workshop.(Optional)

H352 Can handle PCBs up to 240x320mm(2 PCBs Capable)

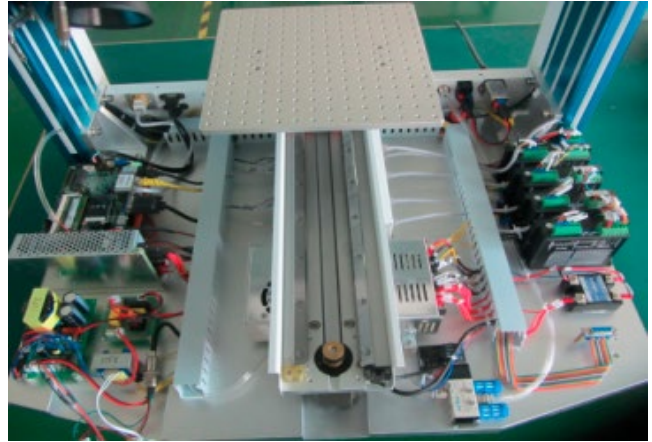
H351

5 axis combined controller for X,Y,Z, R,and solering wire feeding motion system.

H352

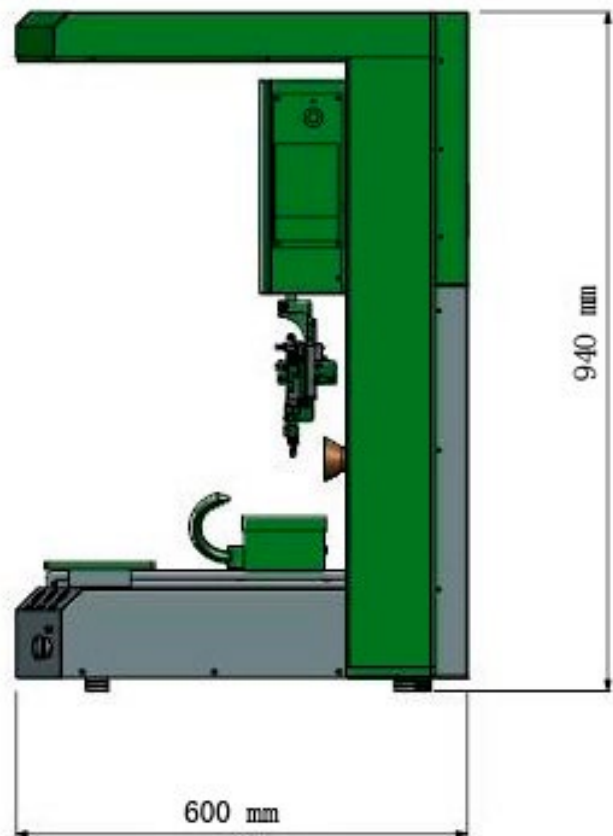
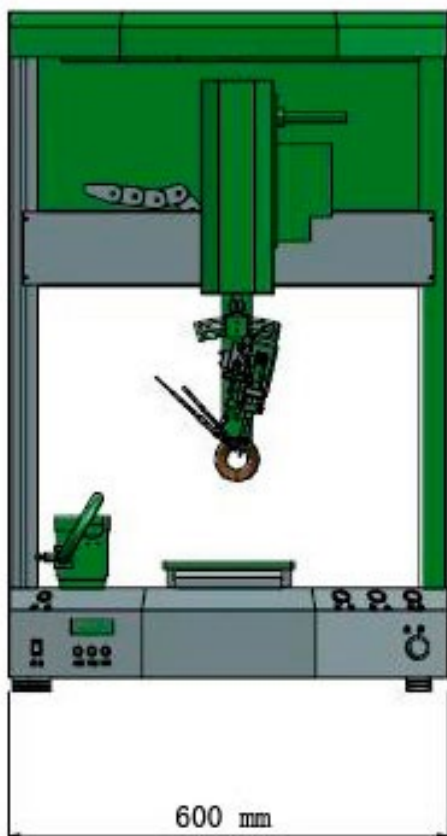
6 axis combined controller for X,Y1, Y2 Z,R,and solering wire feeding motion system. (Double-station)

Soldering and replacing PCB can be executed simultaneously by 2 work station soldering robot,soldering iron never stop,it greatly improve production efficiency.

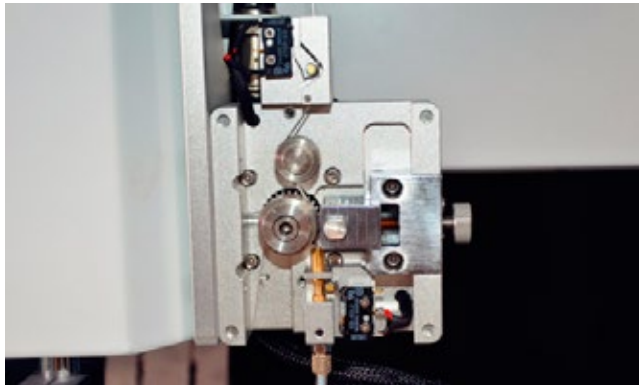


Advanced design, beautiful shape, solid structure break traditional framework, which is more reasonable and practical.

hH351 Automatic Soldering Robot Overall Dimensions

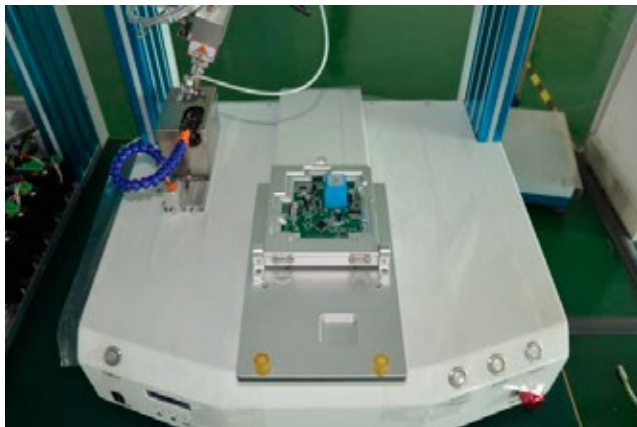


High precision solder wire feeding system with wire piercing wheel which can reach 0.1mm feeding accuracy and reduce the problem of flux remaining on PCB after soldering ,improve the soldering quality .

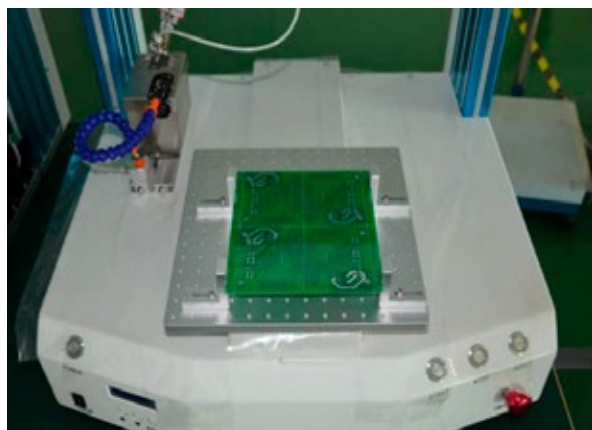


LED illumination

Customerized fixture according to customer's requirement (option)

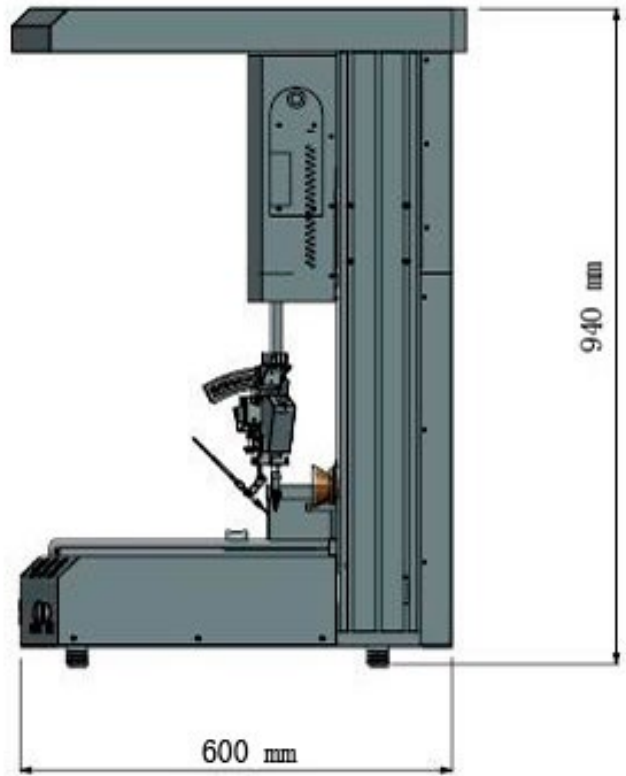
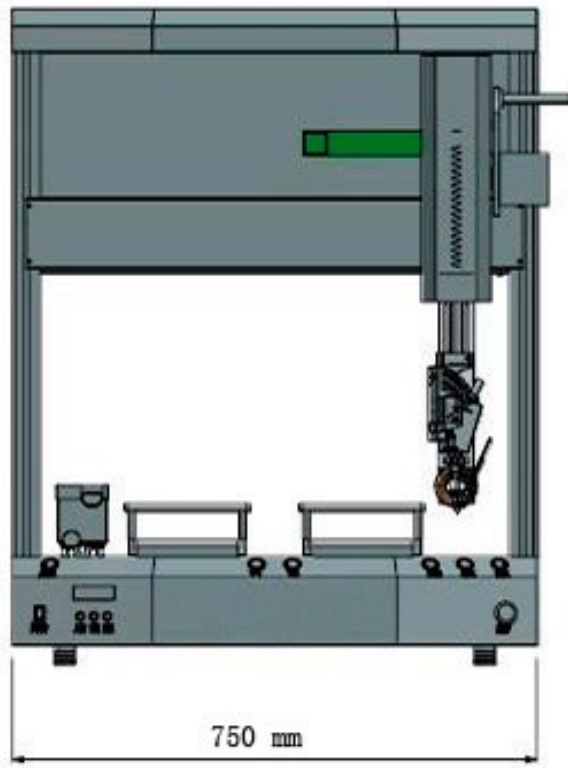


Standard universal fixture



Standard 400w and Optional 600w high-power soldering station with touch panel,fast heating-up and reheating up ,greatly improve the soldering quality .

H352 Automatic Soldering Robot Overall Dimensions



Solder wire feeder

Solder Iron system

Cleaning box

Large variety of standard and custom irons

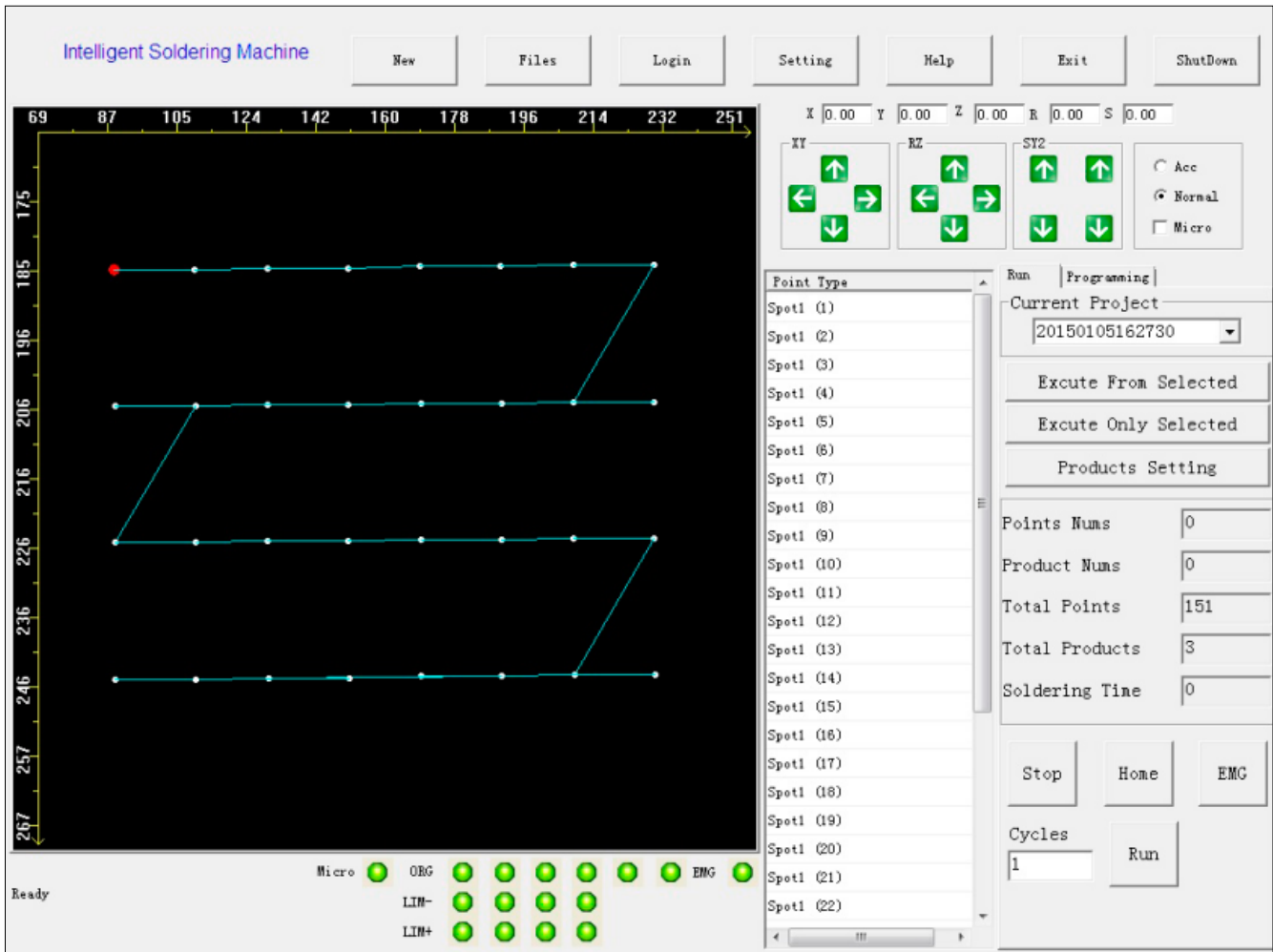


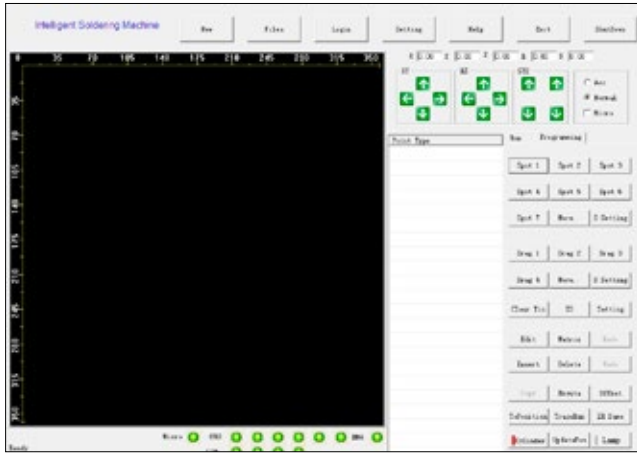
Excellent quickstep solder tip position system

- The self-developed software & hardware researched enjoy free upgrade in the whole service life.
- Full touch operation + fool-style programming, in which case any setting can be realized by click.
- The display screen of coordinatometer shows the track of all soldering spots clearly and makes program modification more visually.
- When there is no obstacle between two adjacent soldering items, the optimizing process is available, and the machine will choose the shortest operating path to

Programming

Self-developed advanced software, fool-style programming , all parameters can be set in one program, such as moving path, solder wire feeding quantity, soldering time etc ,very easy to use.





Operation

Easier setting operation for spot soldering and drag soldering; built-in data can be called out at any moment; digitized setting for soldering spots of different sizes are more visually.

Program edit

Bulk modification of similar soldering spots can be set without modifying one by one. Insert or delete soldering spot coordinates in any position without affecting other soldering spots.

XY Offset(mm)	0
Z Offset(mm)	0
<input checked="" type="radio"/> Center Compensation	
<input type="radio"/> Angle Compensation	0
XY Back Offset(mm)	0
Z Back Offset(mm)	0
Compensate Speed(mm/s)	100

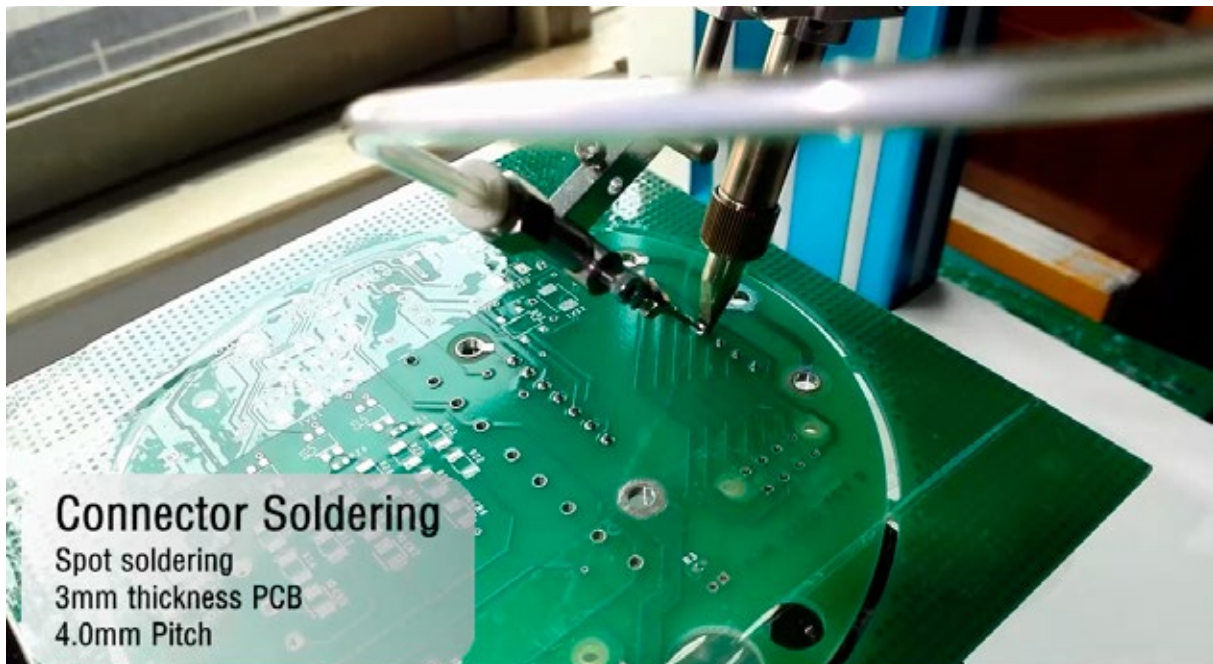
The machine will calculate compensation spots automatically if the compensation data have been setup, and there is no need for manual spot selection



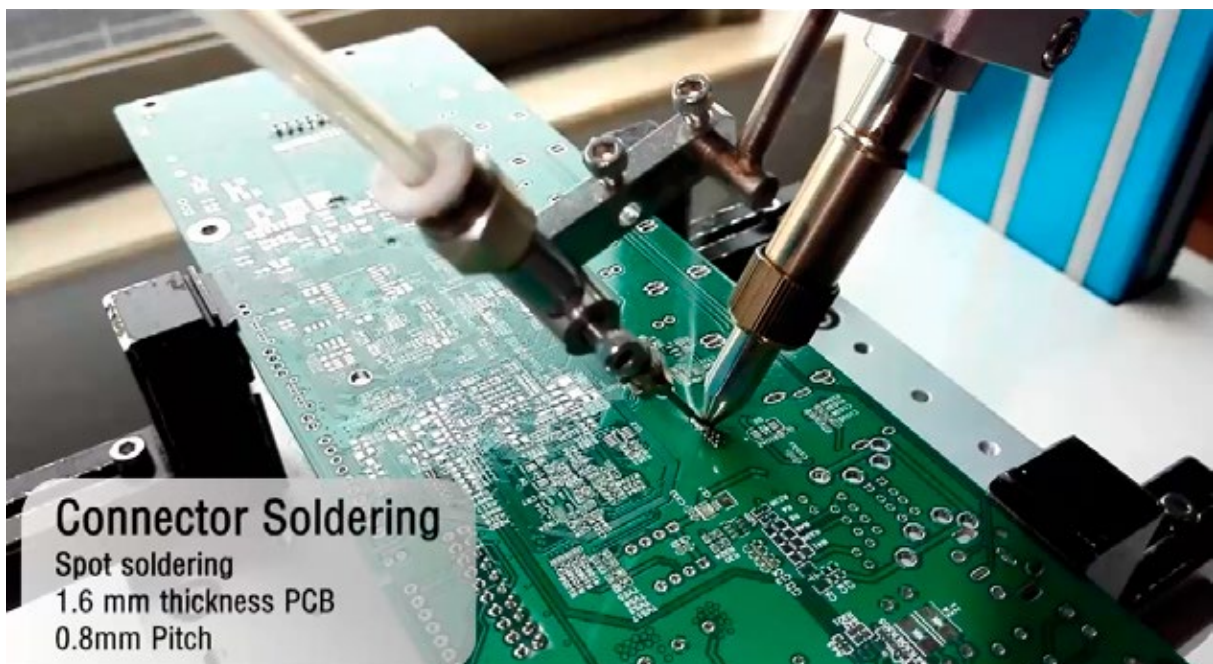
A wireless remote control teaching controller is easily used for programming.

The 12" touchscreen with windows 7 system has no restriction on program size.

Application: High heat soldering point (connector)

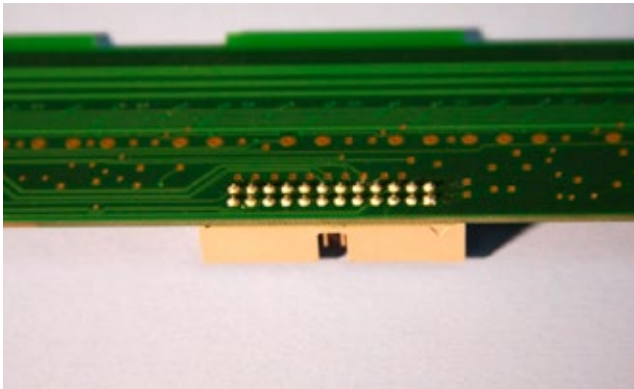


Fine pitch soldering point

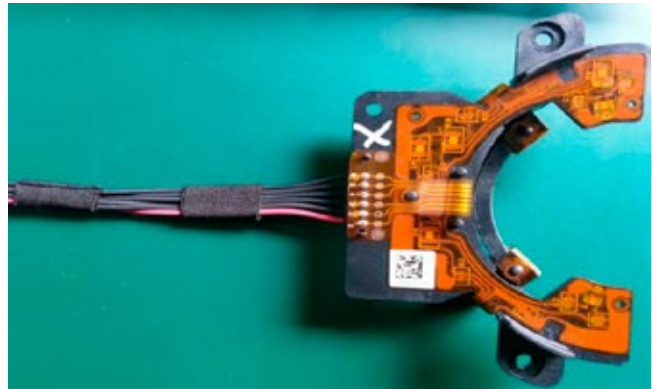


Application

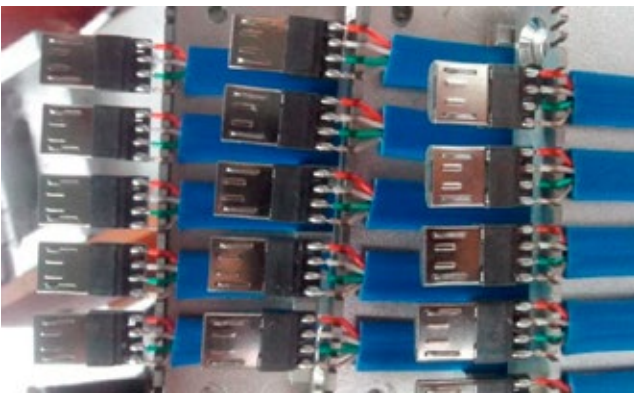
Suitable for Integrated Circuits, Printed Circuit Boards, color LCD Screen, electronic components (such as Relays, Speakers), optical lenses, automotive parts, and other soldering applications.



Contact slide soldering of connector doing both rows simultaneously.



Through-hole wires-point to point



Very fine,close pitch wires on pads-point to point

Standard configuration

- Automatic Soldering Robot.
- Industrial PC ,12"LCD touch screen .
- X,Y,Z,R and wire feeding driving system .
- 1.2mm feeding tube*1pcs , 0.8mm feeding tube 1pcs
- 400W high power strong heat recovery heater.
- Wireless controller
- Universal fixture* 1set
- Soldering tip *3pcs
- 1 year parts warranty

Optional configuration

- Customized fixture.
- Smoke exhaust cover.
- Soldering tip
- Smoke extractor
- 0.3-0.6mm solder wire feeder
- 1.6mm solder wire feeder

Optional 600 W soldering station instead of 400 W soldering station

Specifications:

Model	G 351	H 351
Axes	5-axis (X/Y/Z/R/wire feeder)	5-axis (X/Y/Z/R/wire feeder)
Equipment travel	480*320*90mm*330°	320*320*90mm*330°
Running speed (X/Y/Z/R)	Max X/Y//Z:800mm/s R:180°/s	Max X/Y/Z:800mm/s R:180°/s
Repeat positioning accuracy	±0.05mm	±0.05mm
Load	10KG	10KG
Program recording capability	Unlimited	Unlimited
Display mode	12 "LCD screen	12 "LCD screen
System platform	Windows 7 OS professional	Windows 7 OS professional
Operation	Touch Screen + Wireless Remote	Touch Screen + Wireless Remote
Motion system	Step motor	Step motor
Temperature Range	100°C - 500°C	100 500
Solder wire feeding system	Independent drive and Stepper motor	Independent drive and Stepper motor
Min solder wire feeding length	0.1mm	0.1mm
Solder wire feeding tube	0.8mm;1.0mm;1.2 mm (optional 0.3-0.6,1.6mm)	0.8mm;1.0mm1.2 mm (optional 0.3- 0.6, 1.6mm)
Power supply	Single-phase :AC 220V/110V f: 50HZ/50HZ	Single-phase :AC 220V/110V f: 60HZ/50HZ
Air pressure	0.4-5kg/cm ²	0.4-5kg/cm ²
Work environment	0 -40°C	0 -40°C
Machine Size(mm)	L750*W583*H854mm	L600*W578*H848
Weight	105KG	85KG